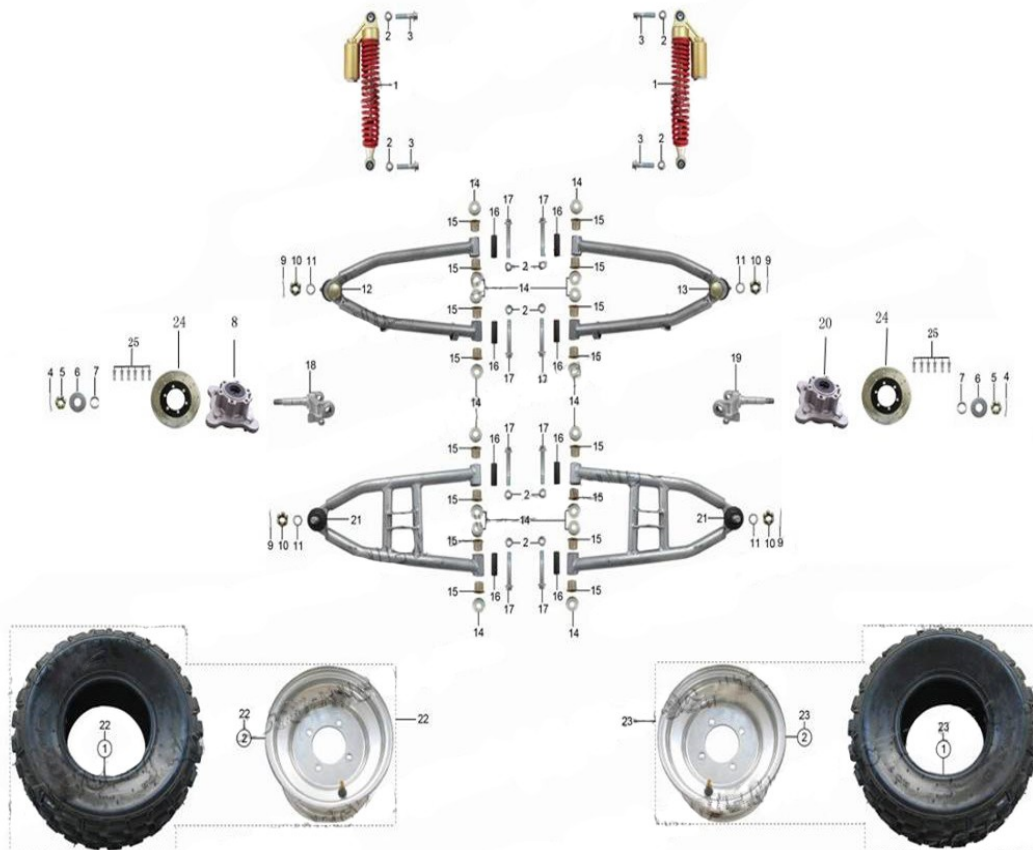


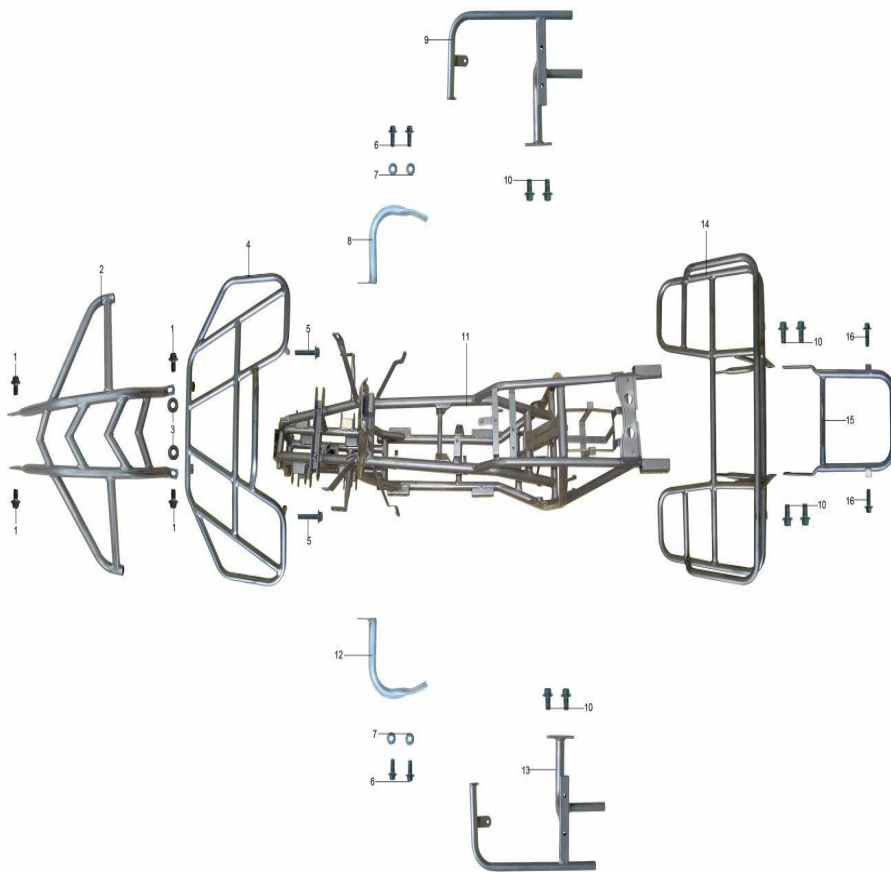
PART#	ENGLISH NAME	QTY	DESCRIPTION
SK150ATV-2E-06-01	HANDLE BAR	2	
SK150ATV-2E-06-02	THROTTLE LEVER ASSY	1	
SK150ATV-2E-06-02-01	BRAKE HANDLE,R.	1	
SK150ATV-2E-06-02-02	THROTTLE LEVER GROUPWARE	1	
SK150ATV-2E-06-02-03	SWITCH,FR.BRAKE LIGHT	1	COMBINATION PIN
SK150ATV-2E-06-03	CABLE,FR. BRAKE	2	1270*1400
SK150ATV-2E-06-04	CABLE,ACCELEROGRAPH	1	800*880
SK150ATV-2E-06-05	BOLT,HEXAGON FLANGE	4	GB/T5789 M8*50
SK150ATV-2E-06-06	HOLDER(UPPER),STEERING HANDLE	2	ALUMINUM
SK150ATV-2E-06-07	STEERING HANDLE	1	
SK150ATV-2E-06-08	HOLDER(LOWER),STEERING HANDLE	1	ALUMINUM
SK150ATV-2E-06-09	SWITCH ASSY,L.	1	SWITCH,,STARTER SWITCH,TURNING LIGHT
SK150ATV-2E-06-10	BRAKE ASSY,RR.	1	SWITCH,,STARTER SWITCH,TURNING LIGHT
SK150ATV-2E-06-10-01	SWITCH,RR.BRAKE LIGHT	1	
SK150ATV-2E-06-10-02	BRAKE HANDLE,L.	1	
SK150ATV-2E-06-10-03	CLIP,STOP BRAKE	1	

SK150ATV-2E-06-10-04	BRAKE GROUPWARE,RR.	1	
SK150ATV-2E-06-10-05	BRAKE SHOE,RR.BRAKE	2	
SK150ATV-2E-06-11	CABLE,DAMPER	1	760*820
SK150ATV-2E-06-12	POLE,STEERING	1	
SK150ATV-2E-06-13	HOLDER,STEERING POLE	2	
SK150ATV-2E-06-14	SPACER	2	GT Φ11*14*41
SK150ATV-2E-06-15	PLATE,STEERING POLE HOLDER	1	
SK150ATV-2E-06-16	BOLT,HEXAGON FLANGE	2	GB/T5789 M8*55
SK150ATV-2E-06-17	TURNING SHAFT	2	400
SK150ATV-2E-06-18	SPLIT PIN	5	GB/T91 Φ1.5*40
SK150ATV-2E-06-19	WASHER,FLAT	4	GB/T97. 1 Φ10*20*2
SK150ATV-2E-06-20	WASHER,SPLIT	4	GB/T93 Φ10
SK150ATV-2E-06-21	NUT,TURRET NOTCH (MODEL 1)	2	GB/T6179 M10
SK150ATV-2E-06-22	WASHER,FLAT	2	GB/T97. 1 Φ8*16*1.5
SK150ATV-2E-06-23	BOLT,HEXAGON FLANGE	2	GB/T5789 M8*35

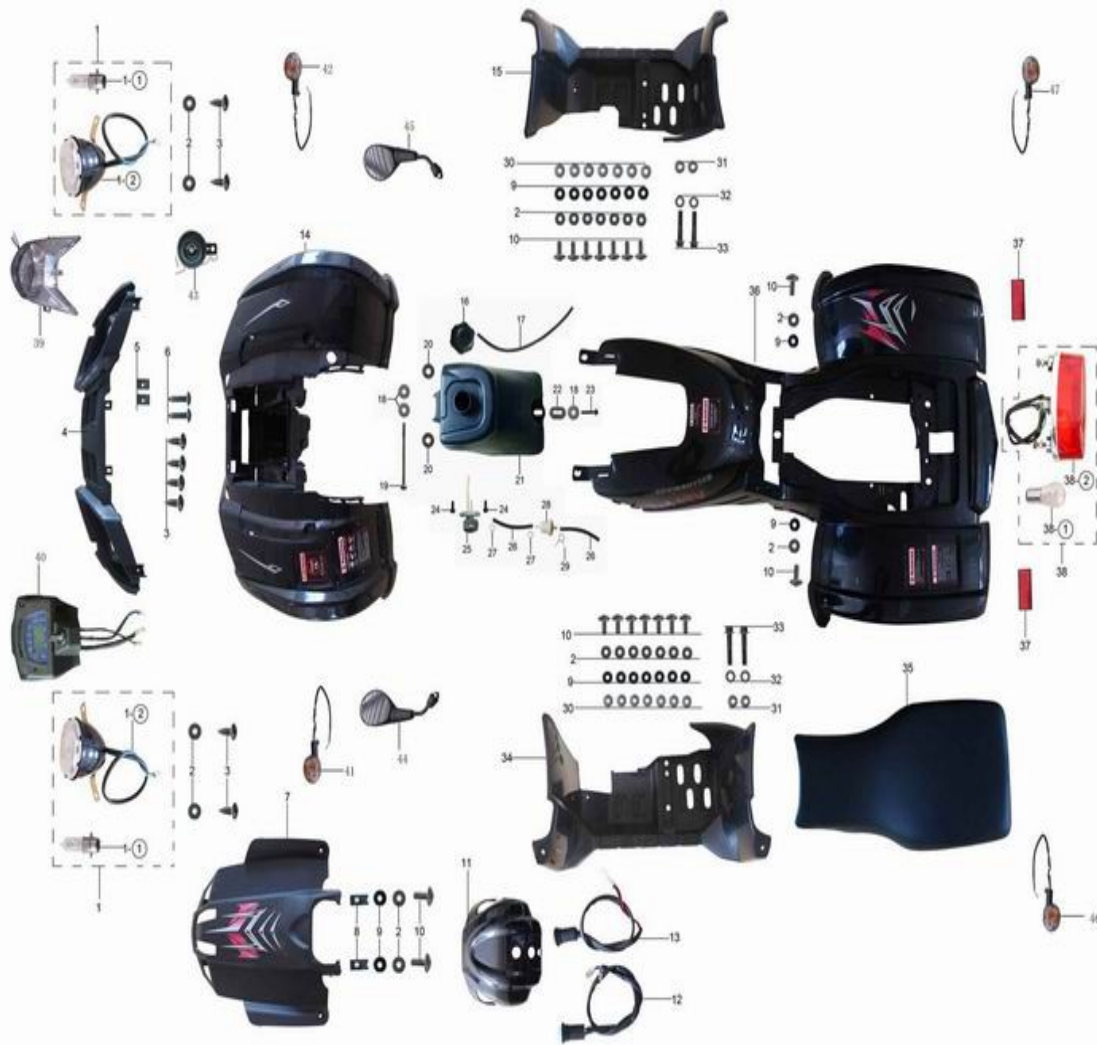


PART#	ENGLISH NAME	QTY	DESCRIPTION
SK150ATV-2E-05-01	SHOCK ABSORER,FR	2	Φ8*52*350
SK150ATV-2E-05-02	NUT,ALLMETAL HEX FLANGE LOCKING GB/T6187. 1	12	M10*1.25

SK150ATV-2E-05-03	BOLT,HEXAGON FLANGE GB/T5789	4	M10*1.25*40
SK150ATV-2E-05-04	SPLIT PIN GB/T91	2	Φ2*45
SK150ATV-2E-05-05	NUT,TURRET NOTCH (MODEL 1) GB/T6179	2	M14*1.25
SK150ATV-2E-05-06	WASHER.FLAT GB97.1	2	Φ15*37*3
SK150ATV-2E-05-07	SPACER GT	2	Φ17*23*9
SK150ATV-2E-05-08		1	
SK150ATV-2E-05-09	SPLIT PIN GB/T91	4	Φ2*35
SK150ATV-2E-05-10	NUT,TURRET NOTCH (MODEL 1) GB/T6179	4	M12*1.25
SK150ATV-2E-05-11	WASHER,SPLIT GB/T93	4	Φ12
SK150ATV-2E-05-12	L.FR.UPPER SWING ARM	1	
SK150ATV-2E-05-13	R.FR.UPPER SWING ARM	1	
SK150ATV-2E-05-14	FLANGE WASHER	16	Φ10*27*6
SK150ATV-2E-05-15	NYLON FLANGE BUSH	16	Φ15*21*16*25*2.5
SK150ATV-2E-05-16	SPACER GT	8	Φ10*15*46
SK150ATV-2E-05-17	BOLT,HEXAGON FLANGE GB/T5789	8	M10*1.25*70
SK150ATV-2E-05-18	L.FR.TRIFURCATE SHAFT	1	
SK150ATV-2E-05-19	R.FR.TRIFURCATE SHAFT	1	
SK150ATV-2E-05-20		1	
SK150ATV-2E-05-21	SWING ARM(LOWER),FR.	2	
SK150ATV-2E-05-22	WHEEL ASSY,Left (tire & rim) 10"	1	10 inches
SK150ATV-2E-05-22-01	TIRE,Left, 10"	1	21X7.0-10
SK150ATV-2E-05-22-02	RIM,Left, 10"	1	1.4kg 10inches
SK150ATV-2E-05-22	F WHEEL ASSY,Left (tire * rim) 8"	1	8 inches
SK150ATV-2E-05-22-01	F TIRE,Left 8"	1	19*7.00-8 4kg
SK150ATV-2E-05-22-02	F RIM,Left 8"	1	1.4kg 8 inches
SK150ATV-2E-05-23	F WHEEL ASSY,Right (tire & rim) 10"	1	10 inches
SK150ATV-2E-05-23-01	F TIRE,Right, 10"	1	21X7.0-10
SK150ATV-2E-05-23-02	F RIM,Right, 10"	1	1.4kg 10 inches
SK150ATV-2E-05-23	F WHEEL ASSY,Right(tire * rim) 8"	1	8 inches
SK150ATV-2E-05-23-01	F TIRE,Right 8"	1	19*7.00-8 4kg
SK150ATV-2E-05-23-02	F RIM,Right 8"	1	1.4kg 8inches
SK150ATV-2E-05-24		1	Φ128*3
SK150ATV-2E-05-25		12	M6*16



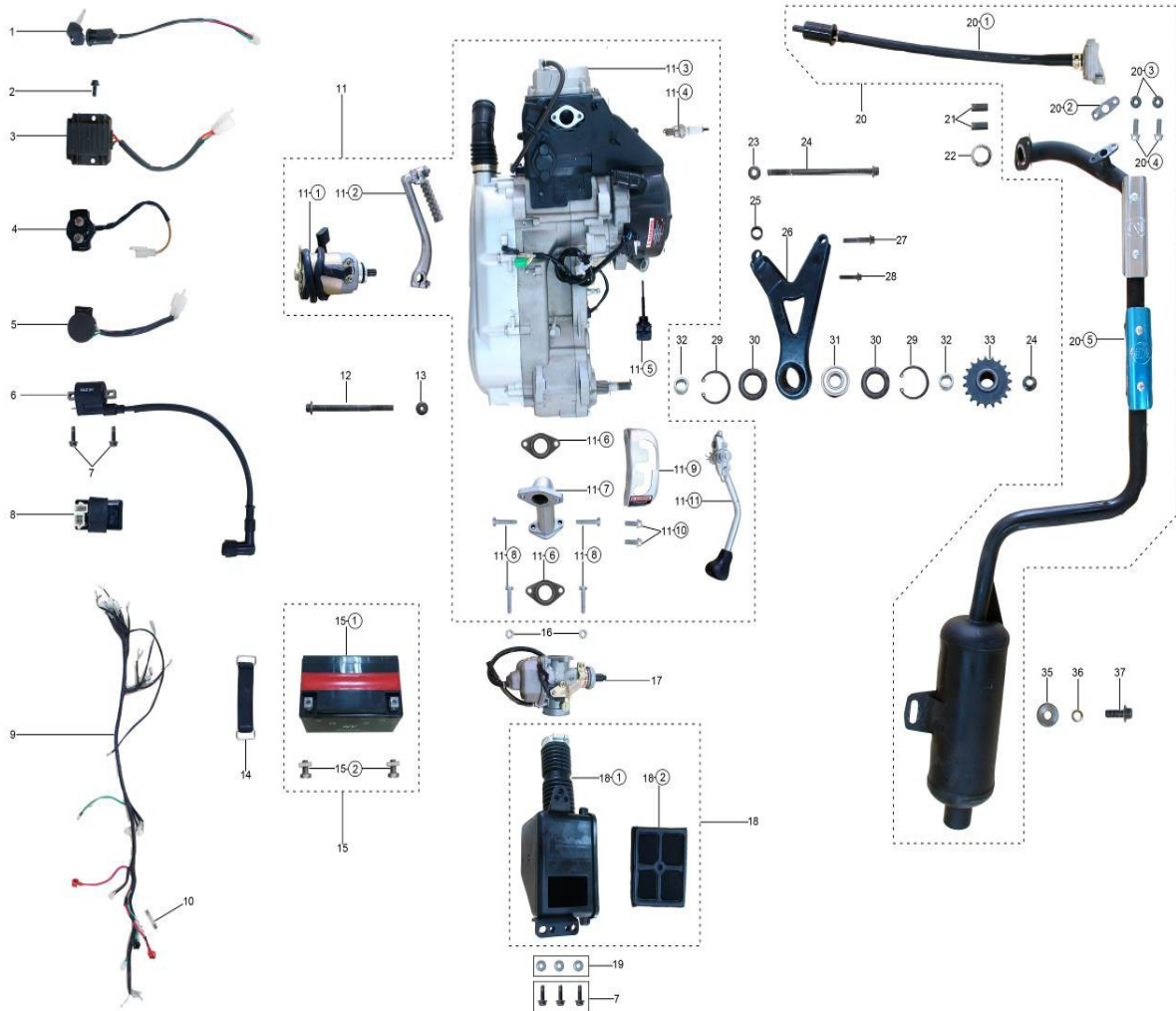
PART#	ENGLISH NAME	QTY	DESCRIPTION
150ATV-2-01-01	BOLT,HEXAGON FLANGE	8	GB/T5789 M8*16
150ATV-2-01-02	BUMPER,FR.	1	3.25KG
150ATV-2-01-03	NUT,HEXAGON FLANGE ANTISLIP	2	FHLM M8
150ATV-2-01-04	CARRIER,FR.	1	
150ATV-2-01-05	BOLT,HEXAGON FLANGE	2	GB/T5789 M6*30
150ATV-2-01-06	BOLT,HEXAGON FLANGE	4	GB/T5789 M8*20
150ATV-2-01-07	NUT,ALLMETAL HEX FLANGE LOCKING	4	GB/T6187 . 1 M8
150ATV-2-01-08	BRACKET,R.FOOTOPERATED	1	
150ATV-2-01-09	FOOTOPERATED BRACKET,R.	1	
150ATV-2-01-10	BOLT,HEXAGON FLANGE	4	GB/T5789 M10*20
150ATV-2-01-11	FRAME,MAIN	1	
150ATV-2-01-12	BRACKET,L.FOOTOPERATED	1	
150ATV-2-01-13	FOOTOPERATED BRACKET,L.	1	
150ATV-2-01-14	CARRIER,RR.	1	4.7KG
150ATV-2-01-15	BUMPER,RR.	1	
150ATV-2-01-16	BOLT,HEXAGON FLANGE	2	GB/T5789 M8*25



PART#	ENGLISH NAME	QTY	DESCRIPTION
SK150ATV-2E-03-01	HEAD LIGHT ASSY	2	
SK150ATV-2E-03-01-01	BULB	2	GB/T15766. 1 12V 18/18W
SK150ATV-2E-03-01-02	HEAD LIGHT GROUPWARE	2	
SK150ATV-2E-03-02	WASHER,FLAT	25	GB/T97. 1 Φ6*18*1.5
SK150ATV-2E-03-03	CROSS RECESSED PAN HEAD TAPPING SCREWS	8	GB/T845 ST3.2*10
SK150ATV-2E-03-04	HOLDER,HEAD LIGHT	1	
SK150ATV-2E-03-05	FLAKE	2	
SK150ATV-2E-03-06	CROSS RECESSED PAN HEAD TAPPING SCREWS	2	GB/T845 ST3.2*16
SK150ATV-2E-03-07	PANEL,FR.	1	
SK150ATV-2E-03-08	FLAKE	2	
SK150ATV-2E-03-09	PAD,RUBBER	21	GB/T7244 Φ6*16*3
SK150ATV-2E-03-10	BOLT,CROSS RECESSED PAN HEAD	21	GB/T818 M6*16
SK150ATV-2E-03-11	COVER,STEERING HANDLE	1	

SK150ATV-2E-03-12	DISPLAY LIGHT,NATURE	1	
SK150ATV-2E-03-13	DISPLAY LIGHT,REVERSE	1	
SK150ATV-2E-03-14	FENDER,FR.	1	
SK150ATV-2E-03-15	FOOTREST,R.	1	
SK150ATV-2E-03-16	COVER,FUEL TANK	1	
SK150ATV-2E-03-17	PIPE,FUEL TANK BREATH	1	Φ5*9*40
SK150ATV-2E-03-18	WASHER,FLAT	3	GB/T97. 1 Φ7*24*2
SK150ATV-2E-03-19	HEX FLANGE BOLT	1	GB/T5789 M6*90
SK150ATV-2E-03-20	FR.CUSHION RUBBER,GAS TANK	2	
SK150ATV-2E-03-21	GAS TANK	1	PLASTIC
SK150ATV-2E-03-22	RR.CUSHION RUBBER,GAS TANK	1	
SK150ATV-2E-03-23	BOLT,HEXAGON FLANGE	1	GB/T5789 M6*30
SK150ATV-2E-03-24	BOLT,HEXAGONAL SOCKET COLUMN HEAD	2	GB/T70.1 M6*16
SK150ATV-2E-03-25	FUEL COCK	1	
SK150ATV-2E-03-26	PIPE,FUEL	2	Φ4*8*150
SK150ATV-2E-03-27	LATHE DOG,SPRINGINESS	2	CB/T679 Φ8
SK150ATV-2E-03-28	FUEL FILTER	1	
SK150ATV-2E-03-29	LATHE DOG,SPRINGINESS	1	CB/T679 Φ9
SK150ATV-2E-03-30	NUT,HEXAGON FLANGE ANTISLIP	14	FHLM M6
SK150ATV-2E-03-31	NUT,HEXAGON FLANGE ANTISLIP	4	FHLM M8
SK150ATV-2E-03-32	PLAIN WASHER	4	GB/T97. 1 Φ8*16*1.5
SK150ATV-2E-03-33	BOLT,HEXAGON FLANGE	4	GB/T5789 M8*40
SK150ATV-2E-03-34	FOOTREST,L.	1	
SK150ATV-2E-03-35	SEAT ASSY	1	
SK150ATV-2E-03-36	FENDER,RR.	1	
SK150ATV-2E-03-37	REFLECTER,RR.SIDE	2	
SK150ATV-2E-03-38	TAIL LIGHT ASSY	1	
SK150ATV-2E-03-38-01	BULB	1	GB/T15766. 1 12V 21/5W
SK150ATV-2E-03-38-02	TAIL LIGHT GROUPWARE	1	
SK150ATV-2E-03-39		1	
SK150ATV-2E-03-40		1	
SK150ATV-2E-03-41		1	
SK150ATV-2E-03-42		1	
SK150ATV-2E-03-43		1	

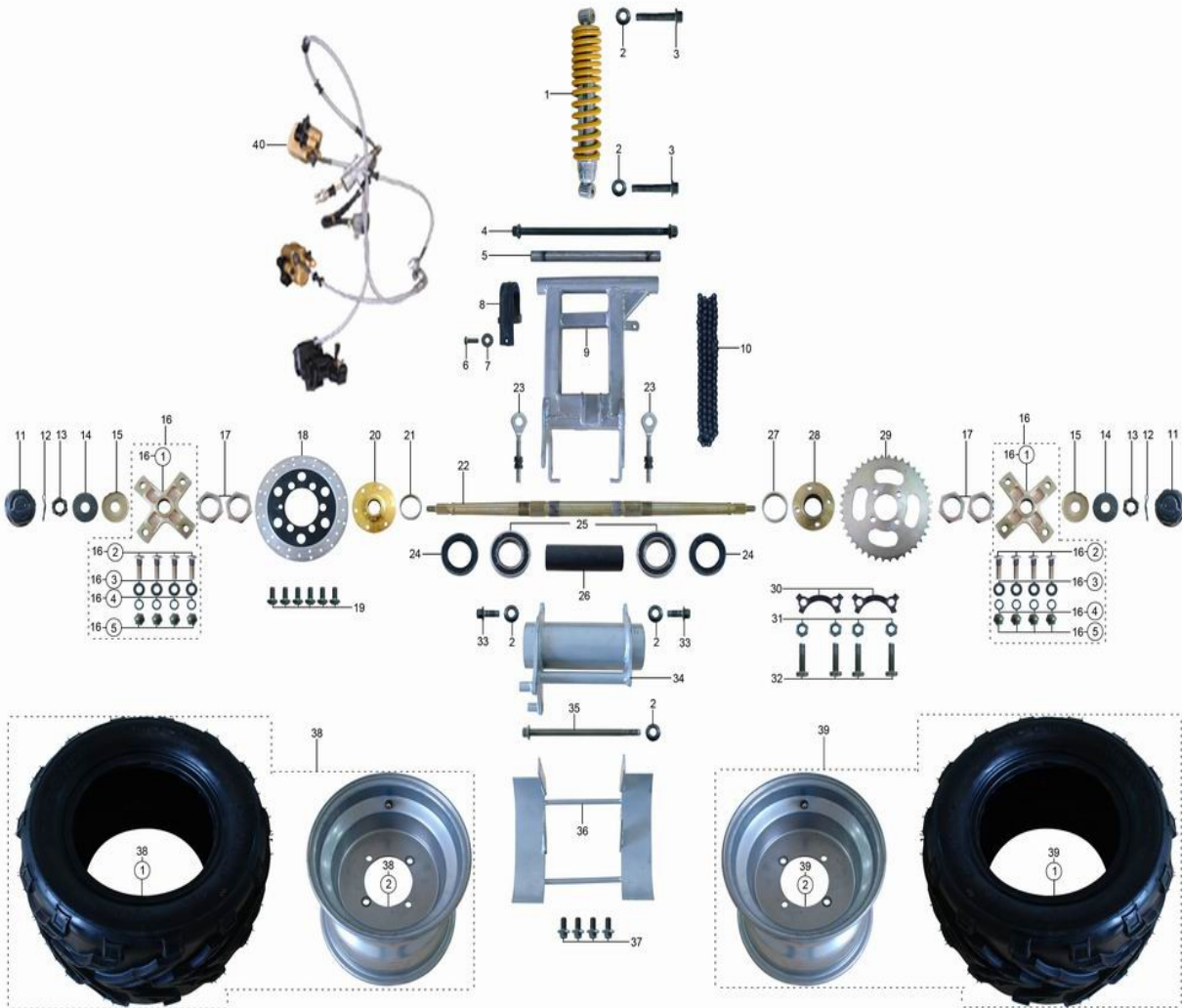
SK150ATV-2E-03-44		1	
SK150ATV-2E-03-45		1	
SK150ATV-2E-03-46		1	
SK150ATV-2E-03-47		1	



PART#	ENGLISH NAME	QTY	DESCRIPTION
SK150ATV-2E-02-01	IGNITION SWITCH	1	2GEARS,4LINES,COMBINATION PIN
SK150ATV-2E-02-02	BOLT,HEXAGON FLANGE	1	GB/T5789 M6*16
SK150ATV-2E-02-03	RECTIFIER	1	4LINES, COMBINATION PIN
SK150ATV-2E-02-04	RELAY	1	
SK150ATV-2E-02-05	BUZZER	1	3LINES, COMBINATION PIN
SK150ATV-2E-02-06	IGNITION	1	
SK150ATV-2E-02-07	BOLT,HEXAGON FLANGE	5	GB/T5789 M6*20
SK150ATV-2E-02-08	C.D.I.IGNITER	1	
SK150ATV-2E-02-09	WIRE HARNESS	1	
SK150ATV-2E-02-10	PROTECTOR TUBE	1	GB/T9364.1.2.3 F15A250W

SK150ATV-2E-02-11	ENGINE ASSY	1	WITH REVERSE
SK150ATV-2E-02-11-01	STARTER	1	9TEETH, 680
SK150ATV-2E-02-11-02	POLE, KICK START	1	
SK150ATV-2E-02-11-03	ENGINE GROUPWARE	1	
SK150ATV-2E-02-11-04	SPARK PLUG	1	GB/T7825 A7TC
SK150ATV-2E-02-11-05	GAUGE,OIL SEAL	1	
SK150ATV-2E-02-11-06	INSULATOR	2	
SK150ATV-2E-02-11-07	INTAKE MANIFOLD	1	
SK150ATV-2E-02-11-08	BOLT,ALL SCREW HEXAGON HEAD	4	GB/T5781 M6*30
SK150ATV-2E-02-11-09	SPACING BLOCK, REVERSE HANDLE	1	
SK150ATV-2E-02-11-10	BOLT,HEXAGON FLANGE	2	GB/T5789 M6*16
SK150ATV-2E-02-11-11	REVERSE HANDLE	1	
SK150ATV-2E-02-12	BOLT,HEXAGON FLANGE	1	GB/T5789 M8*110
SK150ATV-2E-02-13	NUT,ALLMETAL HEX FLANGE LOCKING	1	GB/T6187.1 M8
SK150ATV-2E-02-14	BELT, BATTERY	1	2*80
SK150ATV-2E-02-15	BATTERY	1	XDC 12V7A 150*86*95
SK150ATV-2E-02-16	NUT,HEXAGON(MODEL 1)	2	GB/T6170 M6
SK150ATV-2E-02-17	CARBURETOR	1	AUTO DAMPER PZ30
SK150ATV-2E-02-18	AIR FILTER	1	
SK150ATV-2E-02-19	WASHER.FLAT	3	GB/T97. 1 Φ 6*18*1.5
SK150ATV-2E-02-20	EXHAUSTER	1	
SK150ATV-2E-02-20-01	ONE WAY VALVE ASSY	1	
SK150ATV-2E-02-20-02	WASHER, ASBESTOS	1	
SK150ATV-2E-02-20-03	NUT,HEXAGON FLANGE ANTISLIP	2	FHLM M6
SK150ATV-2E-02-20-04	BOLT,HEXAGON FLANGE	2	GB/T5789 6*20
SK150ATV-2E-02-20-05	MUFFLER GROUPWARE	1	
SK150ATV-2E-02-21	NUT,ACORN	2	GB/T923 M6*25
SK150ATV-2E-02-22	WASHER.MUFFER	1	GB/T3452. 1
SK150ATV-2E-02-23	NUT,ALLMETAL HEX FLANGE LOCKING	1	GB/T6187.1 M10*1.25
SK150ATV-2E-02-24	BOLT,HEXAGON FLANGE	1	GB/T5789 M10*1.25*180
SK150ATV-2E-02-25	SPACER	1	GT Φ 12*17*9
SK150ATV-2E-02-26	CONNECTER, ENGINE	1	
SK150ATV-2E-02-27	BOLT,HEXAGON FLANGE	1	GB/T5789 M8*45
SK150ATV-2E-02-28	BOLT,HEXAGON FLANGE	1	GB/T5789 M8*35

SK150ATV-2E-02-29	GASKET USED FOR HOLE	2	GB/T893.1 Φ42
SK150ATV-2E-02-30	SEAL	2	GB/T13871B 25*40*7
SK150ATV-2E-02-31	BEARING,DEEP GROOVE BALL	1	GB/T276 6203
SK150ATV-2E-02-32	SPACER	2	GT Φ17*25*8
SK150ATV-2E-02-33	SPROCKET,FR.	1	428/19
SK150ATV-2E-02-34	NUT,ALLMETAL HEX FLANGE LOCKING	1	GB/T6187.1 M16
SK150ATV-2E-02-35	WASHER,FLAT	1	GB/T97. 1 Φ8*25*1.5
SK150ATV-2E-02-36	WASHER,SPLIT	1	GB/T93 Φ8
SK150ATV-2E-02-37	BOLT,HEXAGON FLANGE	1	GB/T5789 M8*20



PART#	ENGLISH NAME	QTY	DESCRIPTION
SK150ATV-2E-04-01	SHOCK ABSORER,RR	1	15LOOPS
SK150ATV-2E-04-02	NUT,ALLMETAL HEX FLANGE LOCKING	5	GB/T6187.1 M10*1.25
SK150ATV-2E-04-03	BOLT,HEXAGON FLANGE	2	GB/T5789 M10*1.25*55
SK150ATV-2E-04-04	SHAFT,RR.SWING ARM	1	M14*320
SK150ATV-2E-04-05	SPACER	1	GT Φ14*20*260

SK150ATV-2E-04-06	BOLT,CROSS RECESSED PAN HEAD	1	GB/T818 M6*16
SK150ATV-2E-04-07	WASHER.FLAT	1	GB/T97. 1 Φ6*18*1.5
SK150ATV-2E-04-08	CUSHION,CHAIN	1	
SK150ATV-2E-04-09	SWING ARM,RR.	1	
SK150ATV-2E-04-10	CHAIN	1	GB/T14212 428/90
SK150ATV-2E-04-11	DUSTPROOF,RR.WHEEL	2	
SK150ATV-2E-04-12	SPLIT PIN	2	GB/T91 Φ3*40
SK150ATV-2E-04-13	NUT,TURRET NOTCH (MODEL 1)	2	GB/T6179 M14
SK150ATV-2E-04-14	WASHER.FLAT	2	GB/T97. 1 Φ15*44*3
SK150ATV-2E-04-15	WASHER,FLANGE	2	Φ16*48*5
SK150ATV-2E-04-16	BRACKET ASSY,RR.SPROCKET	2	
SK150ATV-2E-04-16-01	BRACKET GROUPWARE,RR.WHEEL	1	
SK150ATV-2E-04-16-02	BOLT	8	M10*1.25*35/11*10
SK150ATV-2E-04-16-03	WASHER.FLAT	8	GB/T97. 1 Φ10*20*2
SK150ATV-2E-04-16-04	WASHER,SPLIT	8	GB/T93 Φ10
SK150ATV-2E-04-16-05	NUT,ACORN	8	GB/T923 M10*1.25*16
SK150ATV-2E-04-17	NUT,HEXAGON(MODEL 1)	4	GB/T6170 M33
SK150ATV-2E-04-18	BRAKE DISC,RR.BRAKE	1	4*220
SK150ATV-2E-04-19	BOLT,HEXAGONAL SOCKET CREW CUT ROUND	6	GB/T70.2 M8*16
SK150ATV-2E-04-20	BRACKET,RR.BRAKE DISC	1	
SK150ATV-2E-04-21	SPACER	1	GT Φ36*42*12
SK150ATV-2E-04-22	AXES,RR.	1	
SK150ATV-2E-04-23	ADJUSTER,CHAIN	2	
SK150ATV-2E-04-24	SEAL	2	GB/T13871B 42*62*12
SK150ATV-2E-04-25	BEARING,DEEP GROOVE BALL	2	GB/T276 6007
SK150ATV-2E-04-26	SPACER	1	GT Φ35*42*139
SK150ATV-2E-04-27	SPACER	1	GT Φ36*42*15
SK150ATV-2E-04-28	BRACKET,RR.SPROCKET	1	
SK150ATV-2E-04-29	SPROCKET,RR.	1	428/40
SK150ATV-2E-04-30	LOCKER	2	
SK150ATV-2E-04-31	NUT,NONMETAL TURRET LOCKING HEXAGON(THIN TEETH MODEL 1)	4	GB/T889.2 M8
SK150ATV-2E-04-32	BOLT,ALL SCREW HEXAGON HEAD	4	GB/T5781 M8*30
SK150ATV-2E-04-33	BOLT,HEXAGON FLANGE	2	GB/T5789 M10*1.25*25
SK150ATV-2E-04-34	eccentric sheave	1	

SK150ATV-2E-04-35	BOLT,HEXAGON FLANGE	1	GB/T5789 M10*1.25*175
SK150ATV-2E-04-36	FRAME,RR.AXES PROTECTOR	1	
SK150ATV-2E-04-37	BOLT,HEXAGON FLANGE	4	GB/T5789 M8*16
150ATV-2-04-38A	WHEEL ASSY,R&L	1	10 inches
SK150ATV-2E-04-38-01	TIRE,R&L	1	20*10-10 6.1kg
SK150ATV-2E-04-38-02	RIM,R&L	1	IRON 3.2kg 10inches
150ATV-2-04-38B	R WHEEL ASSY,Left (tire * rim) 8"	1	10 inches
SK150ATV-2E-04-38-01	R TIRE,Left 8"	1	18*9.5-8 4kg
SK150ATV-2E-04-38-02	R RIM,Left 8"	1	2kg 8inches
SK150ATV-2E-04-39	R WHEEL ASSY,Right (tire & rim) 10"	1	10 inches
SK150ATV-2E-04-39-1	R TIRE,Right, 10"	1	20*10-10 6.1kg
SK150ATV-2E-04-39-02	R RIM,Right, 10"	1	IRON 3.2kg 10inches
SK150ATV-2E-04-39	R WHEEL ASSY,Right(tire * rim) 8"	1	10 inches
SK150ATV-2E-04-39-01	R TIRE,Right 8"	1	18*9.5-8 4kg
SK150ATV-2E-04-39-02	R RIM,Right 8"	1	2kg 8inches
SK150ATV-2E-04-40	dis brake assembly	1	