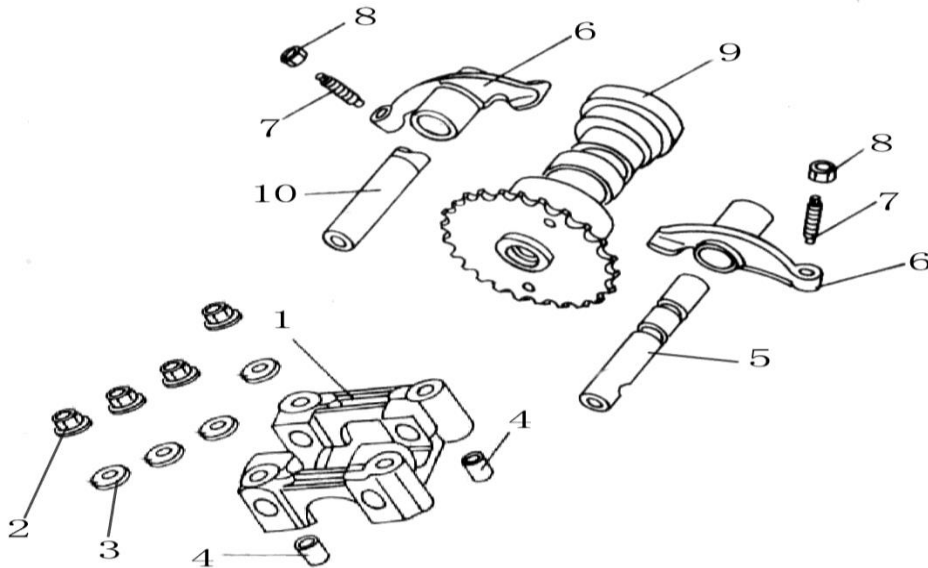
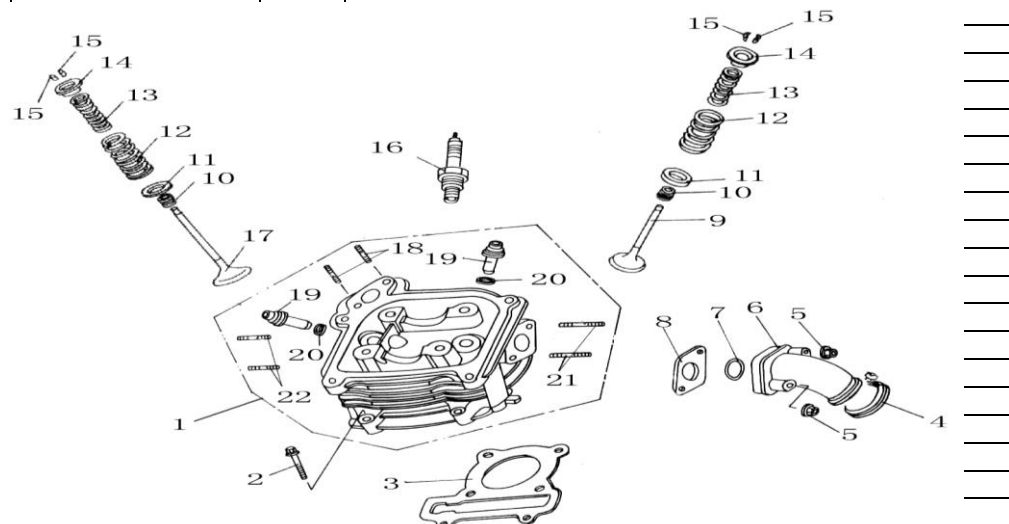


PARTS NO.	R.B.	NAZIV DELA
139QMB-001-000	1	KONZOLA KLACKALICA
139QMB-002-000	2	MATICA M7
139QMB-003-000	3	PODLOŠKA 7×14
139QMB-004-000	4	ČAURA
139QMB-005-000	5	OSOVINA KLACKALICE
139QMB-006-000	6	KLACKALICA VENTILA
139QMB-007-000	7	VIJAK KLACKALICE
139QMB-008-000	8	MATICA VIJAKA KLACKALICE
139QMB-009-000	9	BREGASTA OSOVINA
139QMB-010-000	10	OSOVINA KLACKALICE

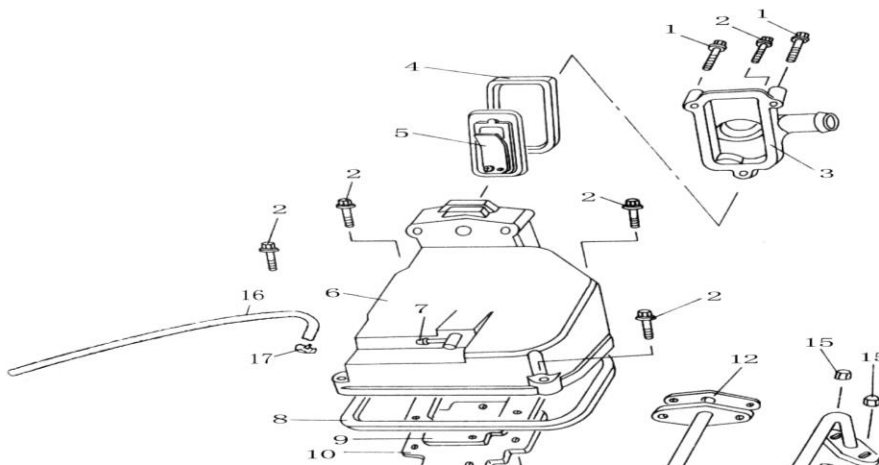


PARTS NO.	R.B.	NAZIV DELA
139QMB-011-000	1	GLAVA MOTORA-KOMPLET
139QMB-012-000	2	VIJAK M6×85

139QMB-013-000	3	DIHTUNG GLAVE MOTORA
139QMB-014-000	4	ŠELNA
139QMB-015-000	5	MATICA M6
139QMB-016-000	6	USISNIK
139QMB-017-000	7	O-RING 20.6×1.9
139QMB-018-000	8	BAKELITNI DIHTUNG USISA
139QMB-019-000	9	VENTIL USISNI
152QMI-093-000	10	TEFLON VENTILA
152QMI-094-000	11	PODLOŠKA 16×23
139QMB-020-000	12	OPRUGA VENTILA SPOLJAŠNJA
139QMB-021-000	13	OPRUGA VENTILA UNUTRAŠNJA
152QMI-097-000	14	SEDIŠTE OPRUGE VENTILA
152QMI-098-000	15	OSIGURAČ VENTILA
152QMI-099-000	16	SVEĆICA
139QMB-022-000	17	VENTIL IZDUVNI
139QMB-023-000	18	BREZON M6×16
139QMB-024-000	19	VODICA VENTILA
139QMB-025-000	20	O-RING
139QMB-026-000	21	BREZON GM-M6×63
139QMB-027-000	22	BREZON GM-M6×32

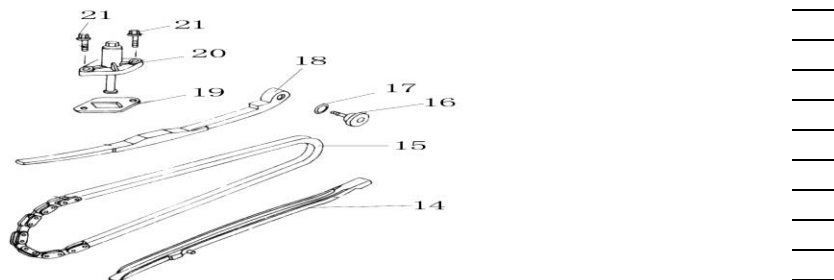


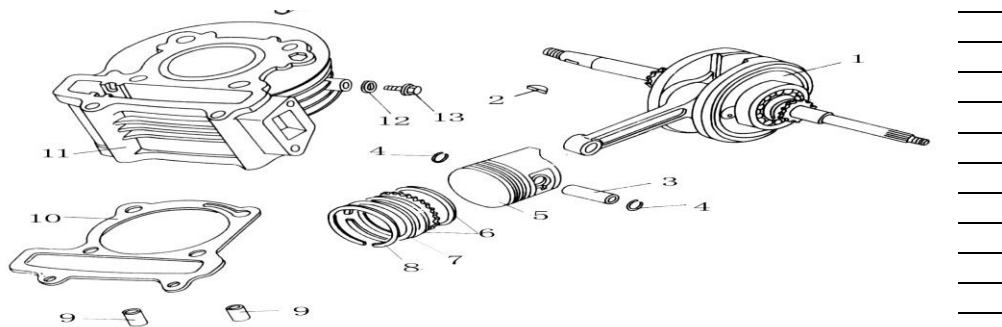
零件号 PART NO.	序号 REF.	英文名称 ENGLISH NAME
139QMB-028-000	1	VIJAK M6×40
139QMB-029-000	2	VIJAK M6×25
139QMB-030-000	3	POKLOPAC NEPOVRATNOG VENTILA
139QMB-031-000	4	KUČIŠTE NEPOVRATNOG VENTILA
139QMB-032-000	5	NEPOVRATNI VENTIL
139QMB-033-000	6	POKLOPAC GLAVE MOTORA
139QMB-034-000	7	RAČVA NA POKLOPCU GLAVE MOTORA
139QMB-035-000	8	GUMENI DIHTUNG POKLOPCA GLAVE MOTORA
139QMB-036-000	9	
139QMB-037-000	10	
139QMB-038-000	11	VIJAK ST4×8
139QMB-039-000	12	DIHTUNG CEVI POKLOPCA GLAVE
139QMB-040-000	13	CEV POKLPOCA GLAVE MOTORA
139QMB-041-000	14	PODLOŠKA 16×23
139QMB-042-000	15	MATICA
139QMB-043-000	16	CREVO ODUŠKA
139QMB-044-000	17	ŠELNA



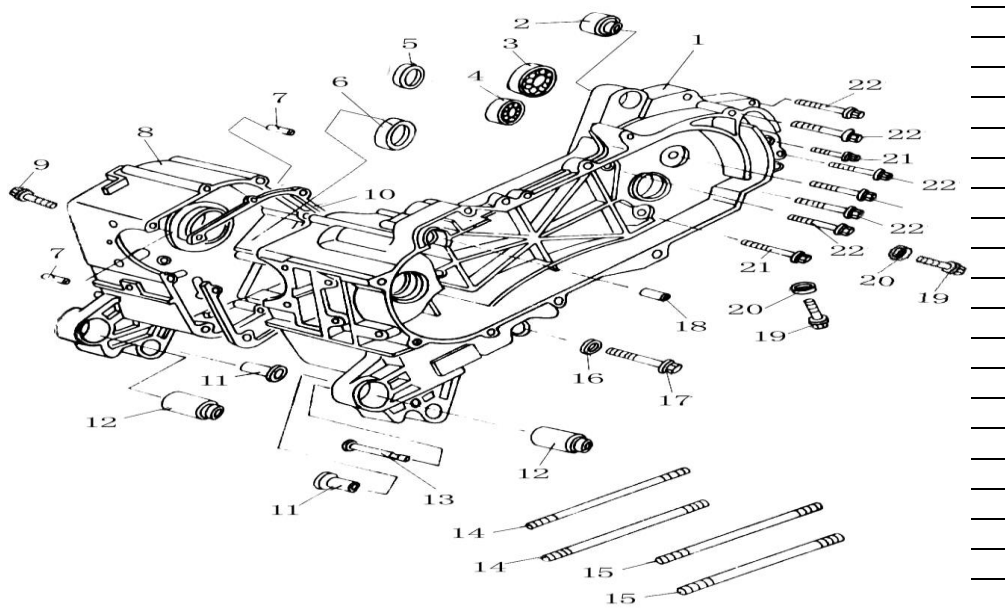


PARTS NO.	R.B.	NAZIV DELA
139QMB-045-000	1	RADILICA
139QMB-046-000	2	KAJLA RADILICE
139QMB-047-000	3	BOLCNA KLIPA
139QMB-048-000	4	OSIGURAČ BOLCNE KLIPA
139QMB-049-000	5	KLIP
139QMB-050-000	6	SET KARIKA KOMPLET
139QMB-051-000	7	
139QMB-052-000	8	
139QMB-053-000	9	ČAURA CILINDRA 8×14
139QMB-054-000	10	DIHTUNG CILINDRA
139QMB-055-000	11	CILINDAR
139QMB-056-000	12	PODLOŠKA 6×12
139QMB-057-000	13	VIJAK M6×12
139QMB-058-000	14	VODJICA LANCA BREGASTE POKRETN
139QMB-059-000	15	LANAC BREGASTE OSOVINE
139QMB-060-000	16	VIJAK KLACKALICE
139QMB-061-000	17	O-RING 15.5×1.5
139QMB-062-000	18	VODICA LANCA BREGASTE STATIVNA
139QMB-064-000	19	DIHTUNG ŠPANERA LANCA BREGASTE
139QMB-063-000	20	ŠPANER LANCA
139QMB-065-000	21	VIJAK M6×16

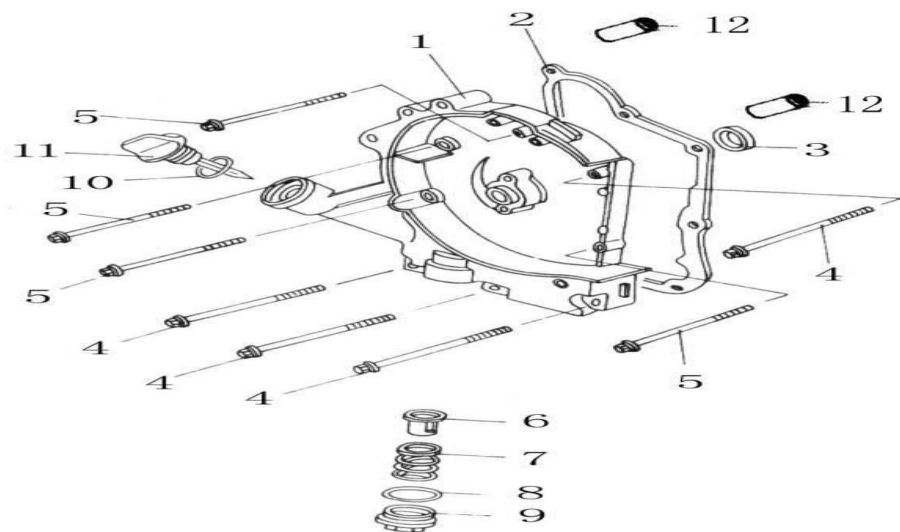




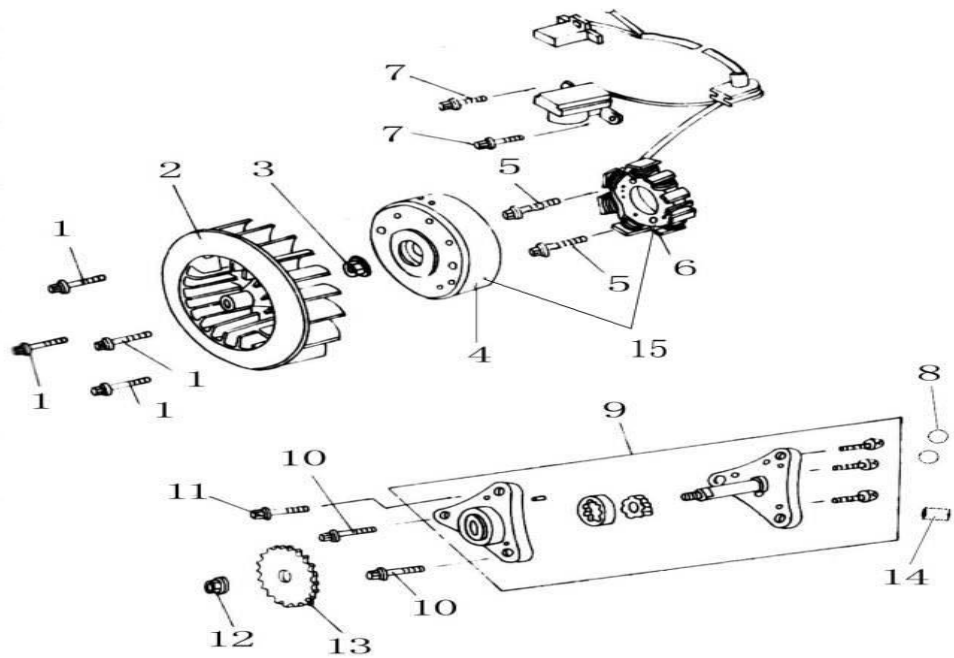
PARTS NO.	R.B.	NAZIV DELA
139QMB-065-000	1	LEVI BLOK MOTORA
152QMI-004-000	2	SILEN BLOK
139QMB-066-000	3	LEŽAJ 6203
139QMB-067-000	4	LEŽAJ 6201
139QMB-068-000	5	SEMERING 17×30×6
152QMI-009-000	6	SEMERING 19,8×30×5
139QMB-069-000	7	ČAURA 8×14
139QMB-070-000	8	DESNI BLOK MOTORA
139QMB-071-000	9	VIJAK M6×45
139QMB-072-000	10	DIHTUNG BLOKA MOTORA
139QMB-073-000	11	ČAURA OSOVINE CENTRALNE NOGARE
152QMI-012-000	12	ČAURA
139QMB-074-000	13	OSOVINA OPRUGE CENTRALNE NOGARE
139QMB-075-000	14	BREZON CILINDRA KRATKI
139QMB-076-000	15	BREZON CILINDRA DUGI
139QMB-077-000	16	PODLOŠKA 12
139QMB-078-000	17	VIJAK M12×12
139QMB-079-000	18	ČAURA BENDIKSA
139QMB-080-000	19	VIJAK AM8×12
152QMI-044-000	20	PODLOŠKA
139QMB-081-000	21	VIJAK M8×35
139QMB-082-000	22	VIJAK M8×40



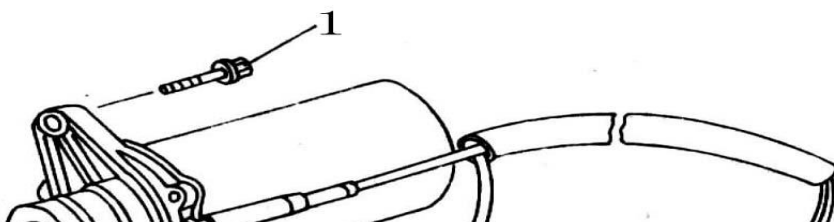
PARTS NO.	R.B.	NAZIV DELA
139QMB-083-000	1	DEKLA MERAČA ULJA
139QMB-084-000	2	DIHTUNG DEKLE MERAČA ULJA
139QMB-085-000	3	SEMERING 16.4×30×5
139QMB-086-000	4	VIJAK M6×100
139QMB-087-000	5	VIJAK M6×85
139QMB-088-000	6	SITO ULJA (FILTER ULJA)
139QMB-089-000	7	OPRUGA FILTERA
139QMB-090-000	8	O-RING 30×3.0
139QMB-091-000	9	VIJAK ZA ISPUŠTANJE ULJA
139QMB-092-000	10	O-RING 18×3.0
139QMB-093-000	11	MERAČ ULJA
139QMB-094-000	12	ČAURA 8×14

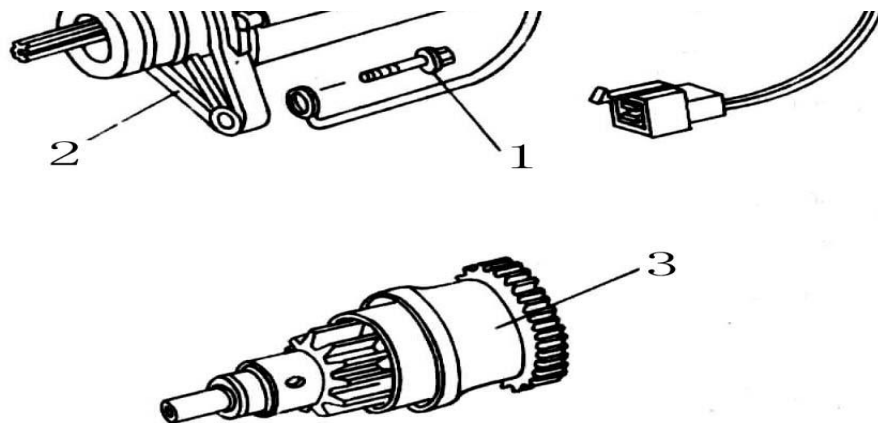


PARTS NO.	R.B.	NAZIV DELA
139QMB-095-000	1	VIJAK M6×16
139QMB-096-000	2	VENTILATOR MAGNETA
139QMB-097-000	3	MATICA M10×1.25
139QMB-098-000	4	ROTOR
139QMB-099-000	5	VIJAK M6×22
139QMB-100-000	6	STATOR
139QMB-101-000	7	VIJAK M5×12
139QMB-102-000	8	O-RING $\Phi 9 \times 1.6$
139QMB-103-000	9	ULJNA PUMPA
139QMB-104-000	10	VIJAK M6×20
139QMB-105-000	11	VIJAK M6×25
139QMB-106-000	12	MATICA M6
139QMB-107-000	13	ZUPČANIK ULJNE PUMPE
139QMB-108-000	14	ČAURA $\Phi 8 \times 10$

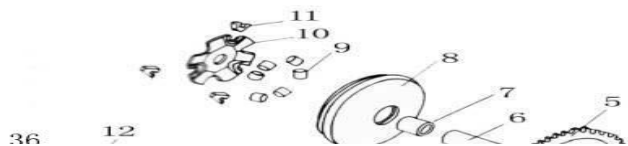


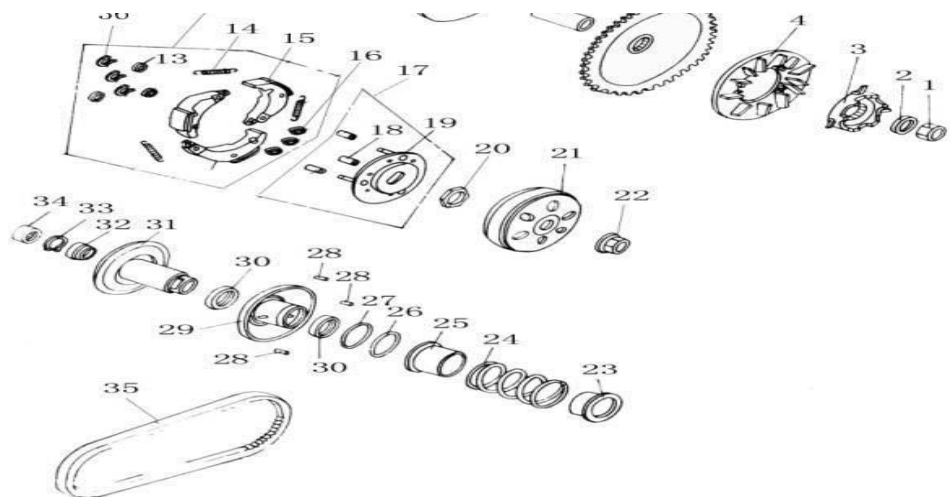
PARTS NO.	R.B.	NAZIV DELA
139QMB-110-000	1	VIJAK M6x25
139QMB-111-000	2	ALNASER
139QMB-112-000	3	BENDIKS





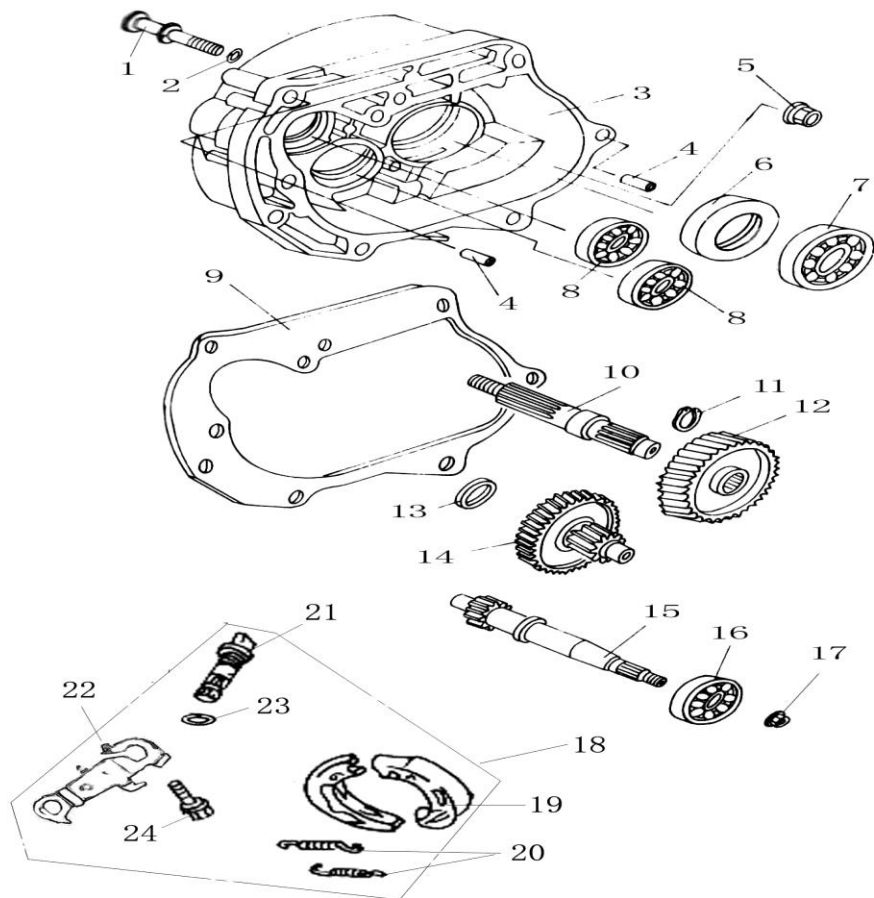
PARTS NO.	R.B.	NAZIV DELA
139QMB-113-000	1	MATICA M12×1.25
139QMB-114-000	2	PODLOŠKA 12 10×16
139QMB-115-000	3	ZVEZDA VARIOMATA
139QMB-116-000	4	VENTILATOR VARIOMATA
139QMB-117-000	5	ZAMAJAC
139QMB-118-000	6	ČAURA VARIOMATA
139QMB-119-000	7	ČAURA
139QMB-120-000	8	KUČIŠTE VARIOMATA
139QMB-121-000	9	ROLNICE
139QMB-122-000	10	POKLOPAC ROLNICA
139QMB-123-000	11	KLIZAČI POKLOPCA ROLNICA
139QMB-124-000	12 – 34	KVAČILO KOMPLET
139QMB-147-000	35	POGONSKI REMEN





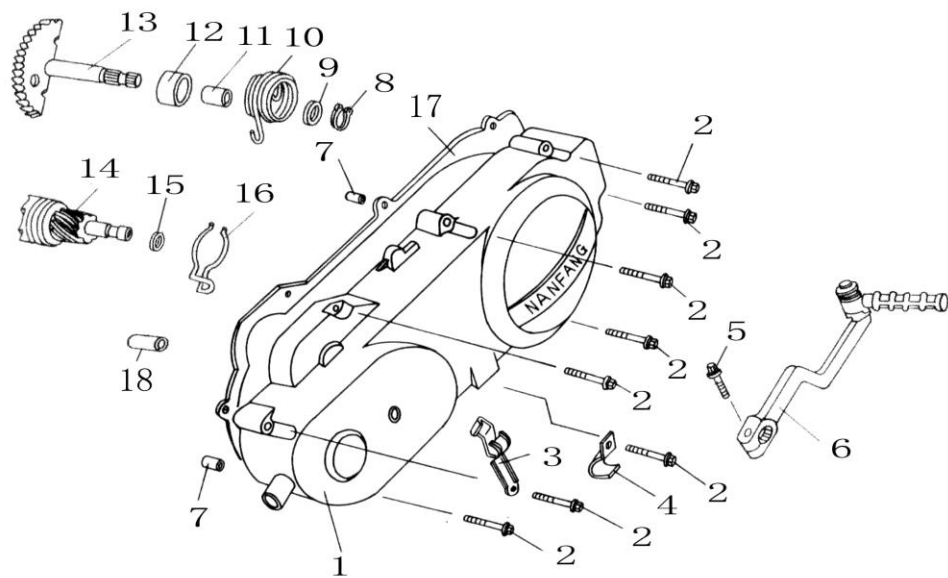
PARTS NO.	R.B.	NAZIV DELA
152QMI-025-000	1	OSOVINA ZADNJE KOČNICE
152QMI-024-000	2	O-RING 7.5×1.5
139QMB-149-000	3	BLOK DIFERENCIJALA
139QMB-150-000	4	ČAURA 10×20
139QMB-151-000	5	MATICA M8
152QMI-006-000	6	SEMERING
139QMB-152-000	7	LEŽAJ 6004-2RS
139QMB-153-000	8	LEŽAJ 6201
139QMB-154-000	9	DIHTUNG DIFERENCIJALA
139QMB-155-000	10	OSOVINA ZADNJEG TOČKA
139QMB-156-000	11	SEGER OSIGURAČ 20
139QMB-157-000	12	ZUPČANIK OSOVINE ZADNJEG TOČKA
139QMB-158-000	13	PODLOŠKA
139QMB-159-000	14	CENTRALNI ZUPČANIK
139QMB-160-000	15	OSOVINA KVAČILA
139QMB-161-000	16	LEŽAJ 6303X3-2
139QMB-162-000	17	MATICA OSOVINE KVAČILA
139QMB-226-000	19	PAKNE

139QMB-228-000	21	OSOVIŃA RAZMICAČA PAKNI
139QMB-229-000	22	RAZMICAČ PAKNI



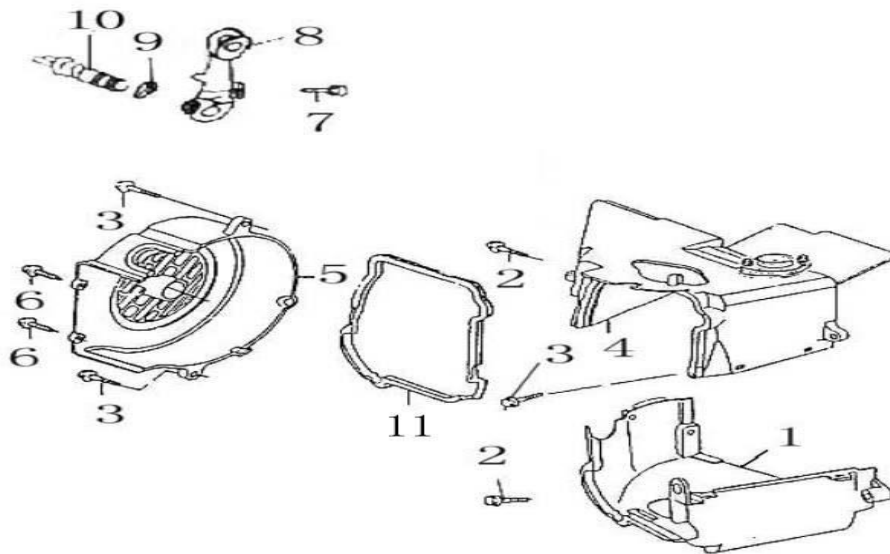
PARTS NO.	R.B.	NAZIV DELA
139QMB-163-000	1	DEKLA KURBLE

139QMB-164-000	2	VIJAK M6×35
139QMB-167-000	5	VIJAK M6×22
139QMB-168-000	6	KURBLA
139QMB-169-000	7	ČAURA DEKLE KURBLE
139QMB-170-000	8	ČAURA 14
139QMB-171-000	9	PODLOŠKA
139QMB-172-000	10	OPRUGA KURBLE
139QMB-173-000	11	ČAURA
139QMB-174-000	12	ČAURA POLUMESECA
139QMB-175-000	13	POLUMESEC
139QMB-176-000	14	IMPULSNI ZUPČANIK
139QMB-177-000	15	PODLOŠKA
139QMB-178-000	16	OPRUGA IMPILSNOG ZUPČANIKA
139QMB-179-000	17	DIHTUNG DEKLE KURBLE
139QMB-180-000	18	ČAURA BENDIKSA



PARTS NO.	R.B.	NAZIV DELA
-----------	------	------------

139QMB-181-000	1	OPLATA CILINDRA DONJA
139QMB-182-000	2	VIJAK M6×16
139QMB-183-000	3	VIJAK M6×25
139QMB-184-000	4	OPLATA CILINDRA GORNJA
139QMB-185-000	5	POKLOPAC VENTILATORA MAGNETA
139QMB-186-000	6	VIJAK ST4.8×16-H
139QMB-187-000	7	VIJAK M6×32
139QMB-188-000	8	ROCKER ARM, BRAKE
139QMB-189-000	9	O-RING $\Phi 11.3 \times 1.3$
139QMB-190-000	10	OSOVINA RAZMICAČA PAKNI
139QMB-191-000	11	RAZMICAČ PAKNI



PARTS NO.	R.B.	NAZIV DELA
139QMB-192-002	1	KARBURATOR