



| R. B | PART CODE | NAZIV DELA |
|------|------------------|----------------------|
| 1 | T83K022600A00100 | KUĆIŠTE FAR |
| 2 | T83K025000A00100 | PREDNJA MAT PLASTIKA |
| 3 | T83H030100A00100 | FAR |
| 4 | T00H030103B00100 | SIJALICA POZICIJE |
| 5 | T00H030102B00100 | SIJALICA FAR |

| | | |
|----|------------------|--------------------------|
| 6 | T83K010600B66100 | PREDJA MASKA |
| 7 | T83K020200A66100 | HABER |
| 8 | T83H030201A00100 | PEDNJI LEVI MIGAVAC |
| 9 | T83H030206A00100 | PREDNJI DESNI MIGAVAC |
| 10 | T83H030701A00100 | LEVO POZICIONO SVETLO |
| 11 | T83H030702A00100 | DESNO POZICIONO SVETLO |
| 12 | T83H030900A00100 | SVETLO TABLICE |
| 13 | T83H030800A00100 | ŠTOP SVETLO |
| 14 | T83H030303A00100 | ZADNJI DESNI MIGAVAC |
| 15 | T83H030301A00100 | ZADNJI LEVI MIGAVAC |
| 16 | T83K010804A00100 | PLASTIKA ŠTOP SVETLA A |
| 17 | T83K010800A00100 | PLASTIKA ŠTOP SVETLA B |
| 18 | L08050211 | VIJAK ST4. 8×16 |
| 19 | L27010103 | ŽABICA VIJKA CLIP ST4. 2 |
| 20 | T83D033906A00100 | NOSAČ FARA METALNI |
| 21 | L26020103 | ŽABICA VIJKA M6×16×19 |
| 22 | L03020203 | |
| 23 | L02010311 | VIJAK M6×12 |
| 24 | L15020103 | MATICA M6 |
| 25 | T41D040200A11100 | |
| 26 | T41P012900A00100 | |



-
-
-
-



| R. B | PART CODE | NAZIV DELA |
|------|------------------|------------------------------|
| 1 | T83J010000A00100 | SET BRAVA |
| 2 | L04010103 | |
| 3 | L04010203 | |
| 4 | T00P041500A00100 | |
| 5 | L05040503 | |
| 6 | L02010203 | |
| 7 | T83H020100A00100 | KILOMETAR SAT |
| 8 | T54H040101A00100 | LEVI PREKIDAČI KOMPLET |
| 9 | T54H040102D00100 | DESNI PREKIDAČI KOMPLAT |
| 10 | T41P040100B00100 | |
| 11 | T83G040200B00100 | SAJLA KVAČILA |
| 12 | T41G040100B00100 | SAJLA GASA |
| 13 | T00H050102A00100 | MIKROPREKIDAČ ZADNJE KOČNICE |
| 14 | T45G040300A11100 | SAJLA KILOMETAR SATA |



| R. B | PART CODE | NAZIV DELA |
|------|------------------|---------------------------|
| 1 | T64R090100B00100 | RETROVIZOR LEVI |
| 2 | T64R090200B00100 | RETROVIZOR DESNI |
| 3 | T83G030100A66100 | KORMAN |
| 4 | T25P080300A00100 | TEG NA KORMANU |
| 5 | T98P080101A00100 | GRIP DESNI |
| 6 | T98P080102A00100 | GRIP LEVI |
| 7 | T83G010200A00100 | TROUGAO KORMANA GORNJI |
| 8 | | NOSAČ KORMANA A |
| 9 | | NOSAČ KORMANA B |
| 10 | | |
| 11 | | |
| 12 | T41H040201A00100 | RUČICA KVAČILA SA NOSAČEM |





| R. B | PART CODE | NAZIV DELA |
|------|------------------|-----------------------------------|
| 1 | T83B010100B00100 | PREDNJA FELNA |
| 2 | T00B010618C00100 | GUMA PREDNJA 90-90-17(TUBELES) |
| 3 | T00B020700A00100 | TUBELES VENTIL |
| 4 | T83N010100A00100 | PREDNJI KOČIONI SISTEM |
| 5 | T83N010105A00100 | HIDRAULIČNO CREVO PREDNJE KOČNICE |
| 6 | T83N010104A00100 | PREDNJA KOČIONA ČELJUST |
| 7 | T83N010108A00100 | PREDNJE KOČIONE PLOČICE |
| 8 | T83N010108B00100 | |
| 9 | T41N010111A00100 | MIKROPREKIDAČ PREDNJE KOČNICE |
| 10 | T83N010103A00100 | PREDNJI KOČIONI CILINDAR |
| 11 | | VIJAK M8*25 |
| 12 | T41N010106A00100 | |
| 13 | T11N010107A00100 | |
| 14 | T83N010200A00100 | PREDNJI KOČIONI DISK |
| 15 | T41N010101A00100 | |
| 16 | | |
| 17 | T11B010300C00100 | PINJON (KILOMETAR PUŽ) |

| | | |
|----|------------------|------------------------------|
| 18 | T41B010401A11100 | OSOVINA PREDNJEG TOČKA |
| 19 | T41B010403A11100 | ČAURA OSOVINE PREDNJEG TOČKA |
| 20 | T41B010400A11100 | |
| 21 | T17D050200A00100 | |



| R. B | PART CODE | NAZIV DELA |
|------|------------------|-------------------------|
| 1 | T83F010100A80100 | PREDNJI AMORTIZER LEVI |
| 2 | T83F010200A80100 | PREDNJI AMORTIZER DESNI |
| 3 | T83G010101A00100 | TROUGAO KORMANA DONJI |
| 4 | T00G010114A00100 | SET VENČIĆA KORMANA |
| 5 | | VIJAK M10×40 |
| 6 | T41G010103A00100 | |
| 7 | T41G010107A00100 | |
| 8 | T41G010105A00100 | |
| 9 | T41G010104A00100 | |
| 10 | T41G010106A00100 | |
| 11 | T41G010102A00100 | |

| | | |
|----|------------------|--|
| 12 | T41G010206A00100 | |
| 13 | T41G010108A00100 | |



| R. B | PART CODE | NAZIV DELA |
|------|------------------|---------------------------------------|
| 1 | T83D032401A62100 | NOSAČ PREDNJEG BLATOBRAHA LEVI |
| 2 | T83D032402A62100 | NOSAČ PREDNJEG BLATOBRAHA DESNI |
| 3 | T83K010900A5N100 | PREDNJI BLATOBRAH |
| 4 | T83K040101A00100 | ZADNJI UNUTRAŠNJI BLATOBRAH |
| 5 | T83K022500A00100 | LIGHT SHIELD, RR. LICENSE PLATE LIGHT |
| 6 | T83K040103A00100 | CENTRALNI ZADNJI BLATOBRAH |
| 7 | T83D032500A00100 | NOSAČ ZADNJEG BLATOBRAHA |
| 8 | T83K040102A00100 | ZADNJI DEO ZADNJEG BLATOBRAHA |
| 9 | T83D037200A00100 | |
| 10 | T83D030200A00100 | METALNI NOSAČ TABLICE |
| 11 | T41K021000C00100 | KATADIOPTER ZADNJI |
| 12 | L02010303 | |

| | | |
|----|------------------|---------------------|
| 13 | L03020203 | |
| 14 | L15020103 | |
| 15 | L08030111 | |
| 16 | T26K020900A00100 | KATADIOPTER PREDNJI |



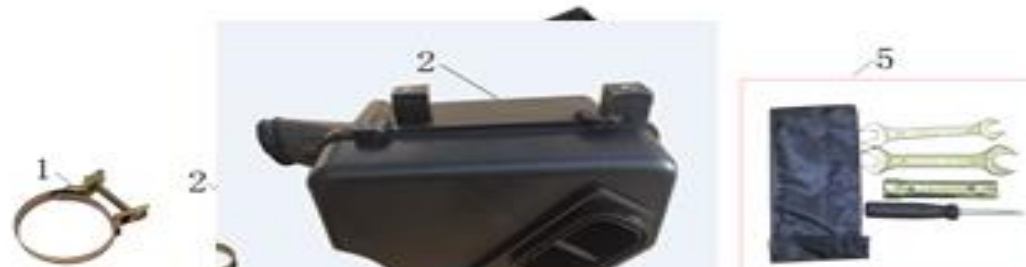
| R. B | PART CODE | NAZIV DELA |
|------|------------------|---------------------------------|
| 1 | T83B020100D00100 | ZADNJA FELNA |
| 2 | T00B020641C00100 | ZADNJA GUMA 110-80-17 (TUBELES) |
| 3 | T83D010500B00100 | POGONSKI LANAC |
| 4 | T00B020700A00100 | TUBELES VENTIL |
| 5 | T83N010300A00100 | |
| 6 | T98N010400A00100 | |
| 7 | T41B020309A00100 | ŠPANER POGONSKOG LANCA |
| 8 | L37010203 | |
| 9 | #N/A | |
| 10 | T61B020300A00100 | GLAVČINA ZADNJEG TOČKA |
| 11 | T41B020306C00100 | ZADNJI LANČANIK |

| | | |
|----|------------------|---|
| 12 | T41B020311A00100 | GUMENI UBLAŽIVAČI UDARA U ZADNJEM TOČKU |
| 13 | T83B020401A00100 | |
| 14 | T41B020403A11100 | |
| 15 | T20B020404B00100 | |
| 16 | T84B020400A11100 | OSOVINA ZADNJEG TOČKA |



| R. B | PART CODE | NAZIV DELA |
|------|------------------|-------------------------|
| 1 | T83K012001A5N100 | LEVA PLASTIKA MOTORA |
| 2 | T83K012002A5N100 | DESNA PLASTIKA MOTORA |
| 3 | T83D034801A00100 | |
| 4 | T83D034802A00100 | |
| 5 | T83K024700A00100 | PLASTIČNA ZAŠTITA MOTRA |
| 6 | L02060203 | |
| 7 | L03020203 | |

| | | |
|----|------------------|---------------------------------------|
| 8 | T83K022400C00100 | DEKORATIVNA PLASTIKA REZERVOARA DESNA |
| 9 | T83K022400D00100 | DEKORATIVNA PLASTIKA REZERVOARA LEVA |
| 13 | T83K012101A5N100 | LEVA ZAŠTITNA PLASTIKA |
| 14 | T83K012102A5N100 | DESNA ZAŠTITNA PLASTIKA |
| 15 | T83K012601B66100 | PLASTIKA REZERVOARA LEVA |
| 16 | T83K012602B66100 | PLASTIKA REZERVOARA DESNA |
| 17 | T83K010100A5N100 | REZERVOAR |
| 18 | T83K010402B5N100 | BOČNA PLASTIKA LEVA |
| 19 | T83K010401B5N100 | BOČNA PLASTIKA DESNA |
| 20 | T41P014100A00100 | ZAŠTITNA GUMA REZERVOARA |
| 21 | T41P013700A00100 | |
| 22 | T41D040100A00100 | |
| 23 | | |
| 24 | | |
| 25 | T41P011100A00100 | |
| 26 | #N/A | |
| 27 | T83H020300A00100 | PLOVAK GORIVA |
| 28 | T11H040500A00100 | SLAVINA GORIVA |
| 29 | T00P100100B00100 | CREVO GORIVA |



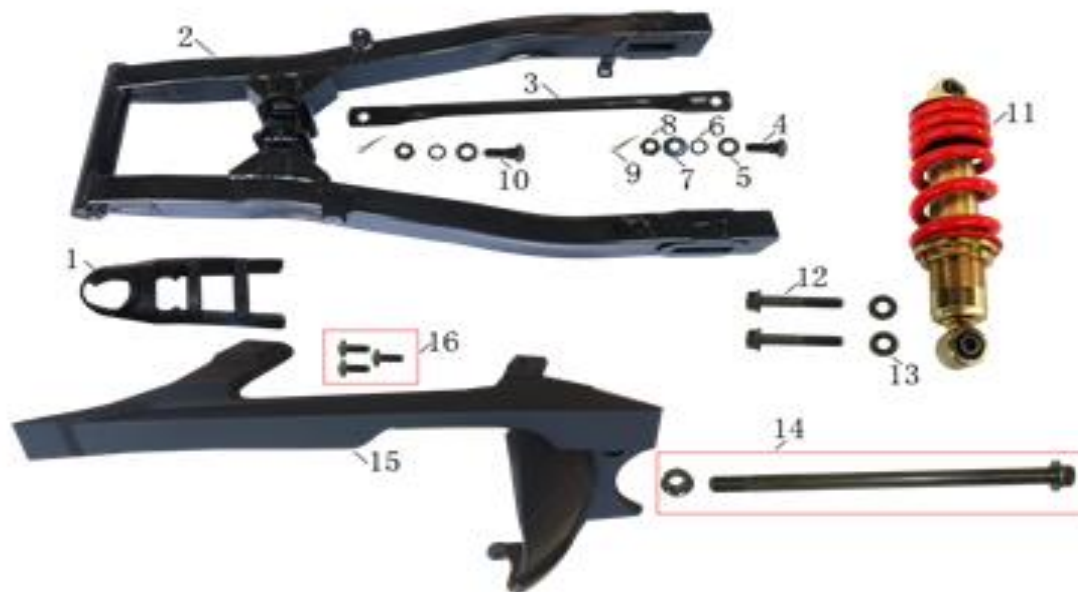


| R. B | PART CODE | NAZIV DELA |
|------|------------------|------------------------------|
| 1 | T41K030102A00100 | ŠELNA KUTIJE FILTERA VAZDUHA |
| 2 | T83K030100G00100 | KUTIJA FILTERA VAZDUHA |
| 3 | | |
| 4 | | |
| 5 | T00R050100A00100 | ALAT KOMPLET |
| 6 | T56D033801A00100 | KUTIJA ZA AKUMULATOR |
| 7 | | |
| 8 | T41P012900A00100 | |
| 9 | T41D040200A00100 | |



| R. B | PART CODE | NAZIV DELA |
|------|------------------|---------------------------------------|
| 1 | | |
| 2 | | |
| 3 | T51C020600A00100 | BOČNA NOGARA |
| 4 | T41D020200C00100 | OPRUGA BOČNE NOGARE |
| 5 | T41D020100C00100 | OPRUGA CENTRALNE NOGARE |
| 6 | T83C020500B00100 | CENTRALNE NOGARE |
| 7 | T00P050300B00100 | ODBOJNIK GUMENI CENTRALNE NOGARE |
| 8 | T41D020600B11100 | OSOVINA CENTRALNE NOGARE |
| 9 | T41P030201A62100 | FAZASTER ZADNJI LEVI |
| 10 | T41P030202A62100 | FAZASTER ZADNJI DESNI |
| 11 | | |
| 12 | | |
| 13 | | |
| 14 | | |
| 15 | T41P030101A62100 | FAZASTER PREDNJI LEVI |
| 16 | T41P030102A62100 | FAZASTER PREDNJI DESNI |
| 17 | T83D010102A62100 | TROUGLASTA DEKORATIVNA PLASTIKA LEVA |
| 18 | T83D010101A62100 | TROUGLASTA DEKORATIVNA PLASTIKA DESNA |
| 19 | T83C020804A66100 | POLUGA KOČNICE |
| 20 | | |
| 21 | T41D020400A00100 | OPRUGA MIKROPREKIDAČA ZADNJE KOČNICE |
| 22 | T83D020300A00100 | POVRATNA OPRUGA POLUGE KOČNICE |

| | | |
|----|------------------|------------------------|
| 23 | T30C020801A11100 | OSOVINA POLUGE KOČNICE |
| 24 | T30P041900A00100 | |
| 25 | | |
| 26 | | |
| 1 | T83M010000A00100 | AUSPUH |
| 2 | T00M010102A00100 | DIHTUNG AUSPUHA |
| 3 | #N/A | |



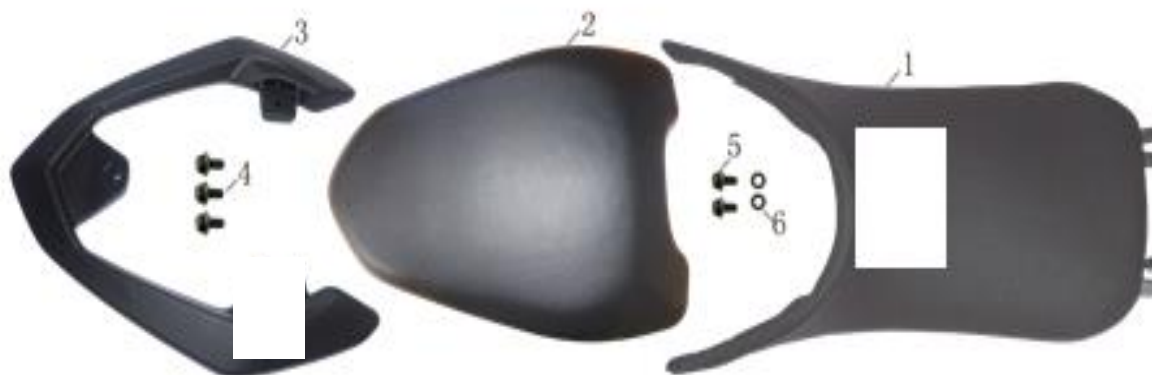
| R. B | PART CODE | NAZIV DELA |
|------|------------------|------------------------|
| 1 | T21P041100A00100 | KLIZAČ LANCA |
| 2 | T83C020100C00100 | VILJUŠKA MOTORA ZADNJA |
| 11 | T83F020000B00100 | AMORTIZER ZADNJI |
| 12 | | |

| | | |
|----|------------------|-----------|
| 14 | T41C020300A11100 | |
| 15 | T83K021200A00100 | LANCOBRAN |
| 16 | | |

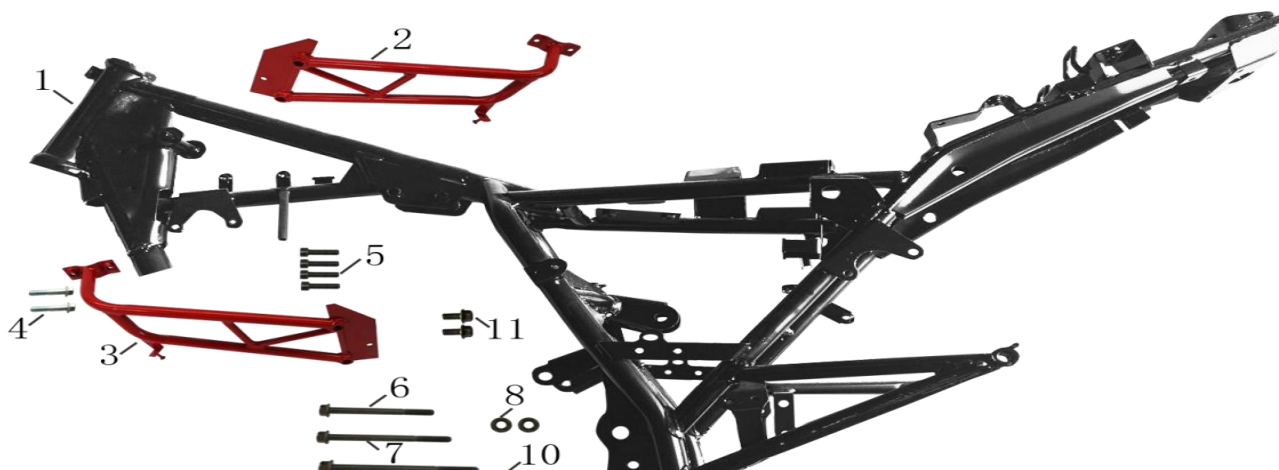


| R. B | PART CODE | NAZIV DELA |
|------|------------------|------------------|
| 1 | T01A230100A00100 | BOBINA |
| 2 | T01A230400A00100 | AUTOMAT ALNASER |
| 3 | T01A230500A00100 | AUTOMAT MIGAVACA |
| 4 | T01A230200A00100 | CDI |
| 5 | T01A230300A00100 | REGLER |
| 6 | T51H031000A00100 | SIRENA |
| 7 | T41D050200A00100 | |
| 8 | T83H050100D00100 | INSTALACIJA |
| 9 | T41H050101A00100 | |
| 10 | T00H050104B00100 | OSIGURAČ 10A |

| | | |
|----|------------------|--------------------------|
| 11 | T41H070100B00100 | AKUMULATOR |
| 12 | T00P021300D00100 | GUMENI DRŽAČ AKUMULATORA |



| R. B | PART CODE | NAZIV DELA |
|------|------------------|-----------------|
| 1 | T83K050200A00100 | SEDIŠTE PREDNJE |
| 2 | T83K050300A00100 | SEDIŠTE ZADNJE |
| 3 | T83E020100A62100 | RUKOHVAT |





| R. B | PART CODE | NAZIV DELA |
|------|------------------|------------------------|
| 1 | T83C010000J00100 | RAM |
| 2 | T83E030800A00100 | ZAŠTITNA REŠETKA LEVA |
| 3 | T83E030900A00100 | ZAŠTITNA REŠETKA DESNA |
| 4 | | |
| 5 | | |
| 6 | | |
| 7 | | |
| 8 | | |
| 9 | | |
| 10 | | |